

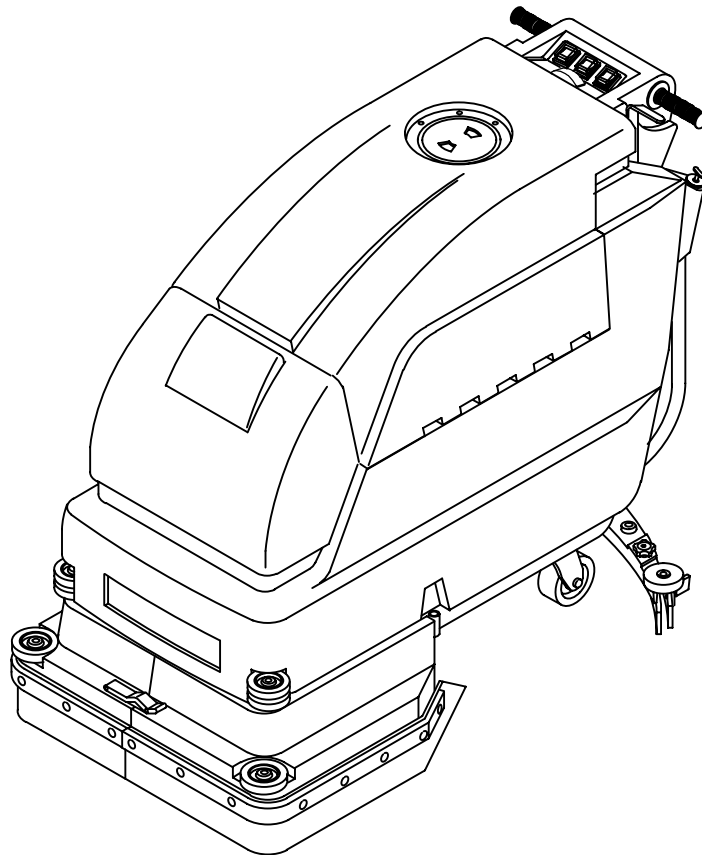
FLOOREQUIPMENT**PARTS.COM**

5540/5560

**Automatic Floor Scrubber
Fregadora Automática**

Model:
607506 – 5540
607541 – 5560

**Operator and Parts Manual
Manual de Operación y de Piezas**

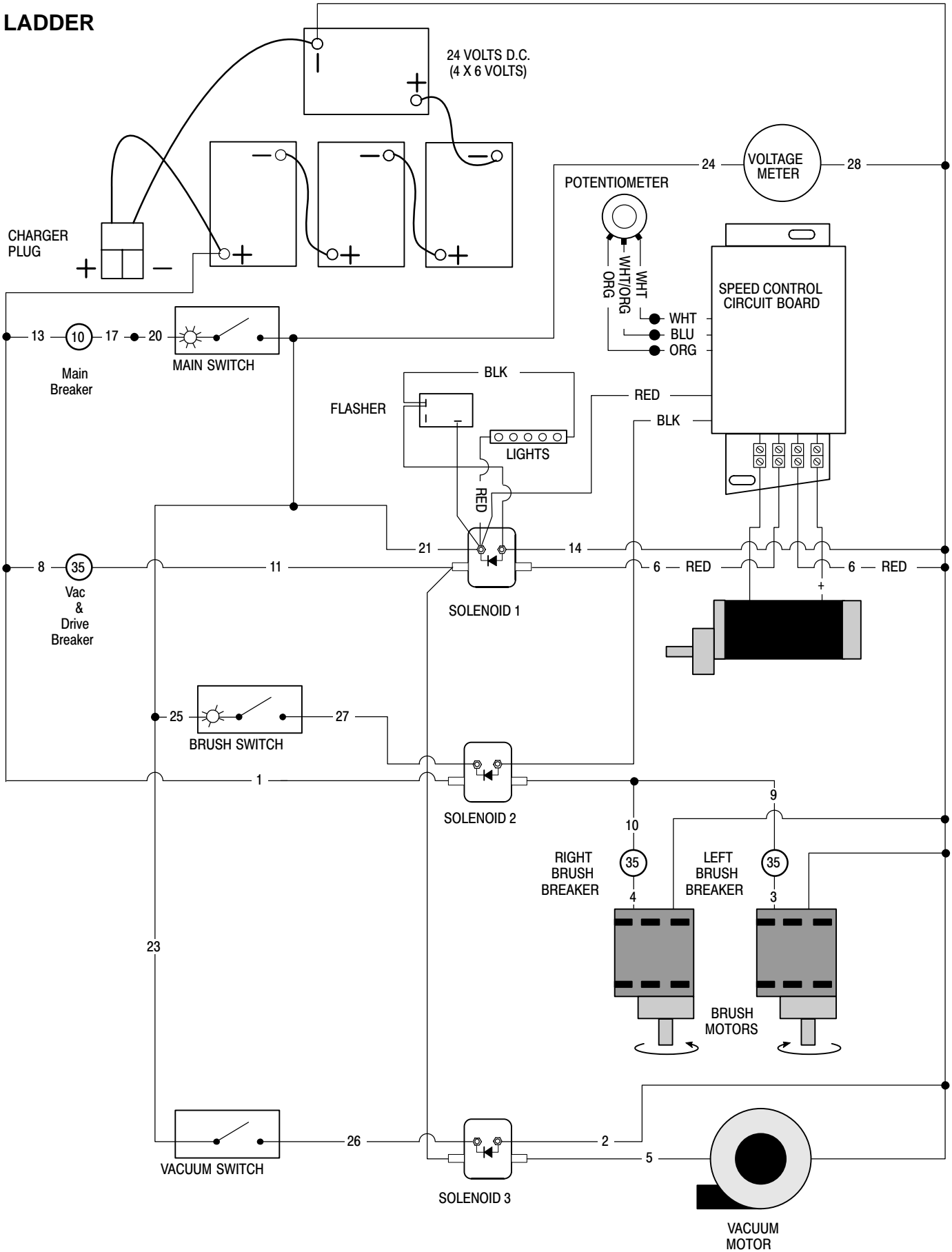


TENNANT COMPANY
Commercial Products
12875 RANSOM STREET
HOLLAND MI 49424 U.S.A.

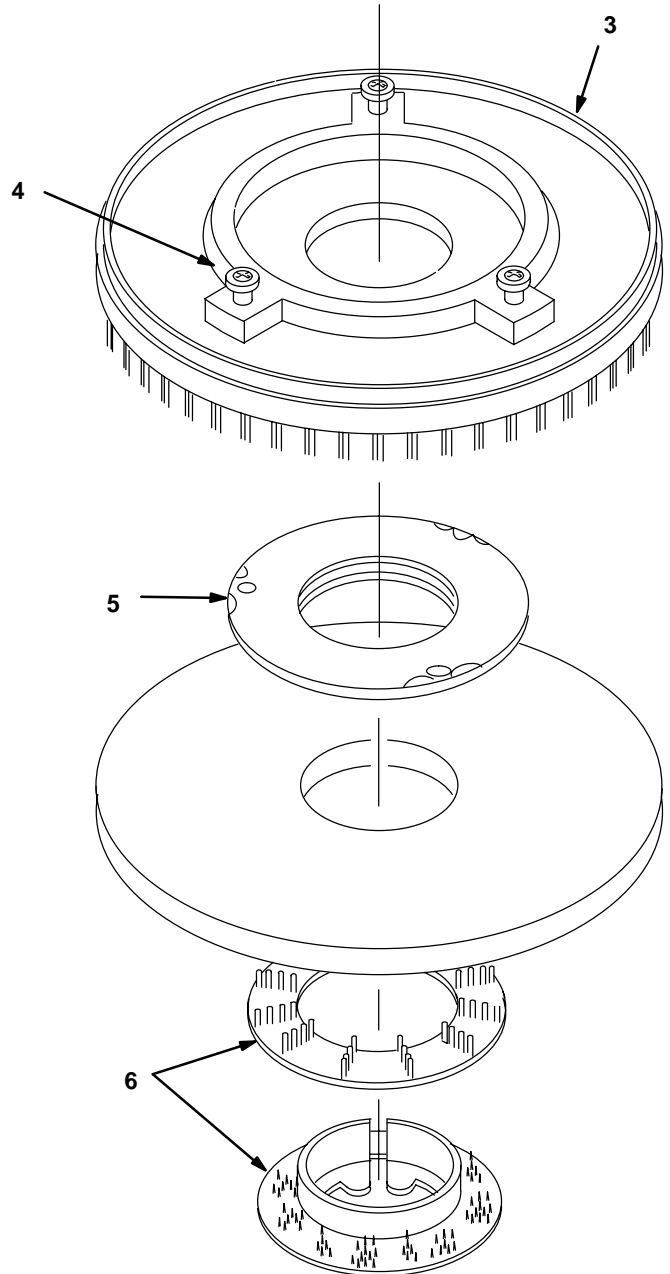
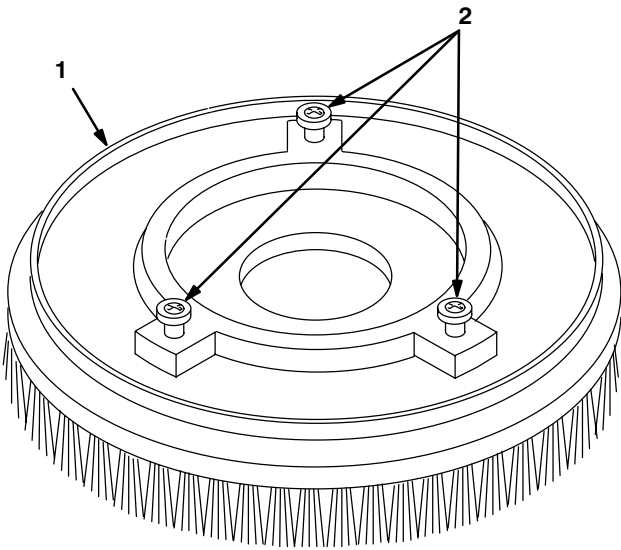
FAX: 1-800-678-4240
CUSTOMER SERVICE: 1-800-982-7658

**607508
Rev. 02 (06-01)**

LADDER



REPLACEMENT BRUSHES AND PAD DRIVER GROUP
CEPILLO DEL REEMPLAZO Y GRUPO DEL MANDO DE LA ALMOHADILLA



**REPLACEMENT BRUSHES AND PAD DRIVER GROUP
CEPILLO DEL REEMPLAZO Y GRUPO DEL MANDO DE LA ALMOHADILLA**

REF	PART #	DESCRIPTION	QTY.
▽ 1	240227	BRUSH, POLY SCRUB PK/2 (5540)	2
	240234	BRUSH, NYLON GRIT PK/2 (5540)	2
	240236	BRUSH, DYNA SCRUB PK/2 (5540)	2
	240243	BRUSH, SCRUB/STRIP PK/2 (5540)	2
	240230	BRUSH, POLY SCRUB PK/2 (5560)	2
	240235	BRUSH, NYLON GRIT PK/2 (5560)	2
	240237	BRUSH, DYNA SCRUB PK/2 (5560)	2
	240241	BRUSH, SCRUB/STRIP PK/2 (5560)	2
▲ 2	240238	LUGS, W/ SCREWS (SET OF 3)	6

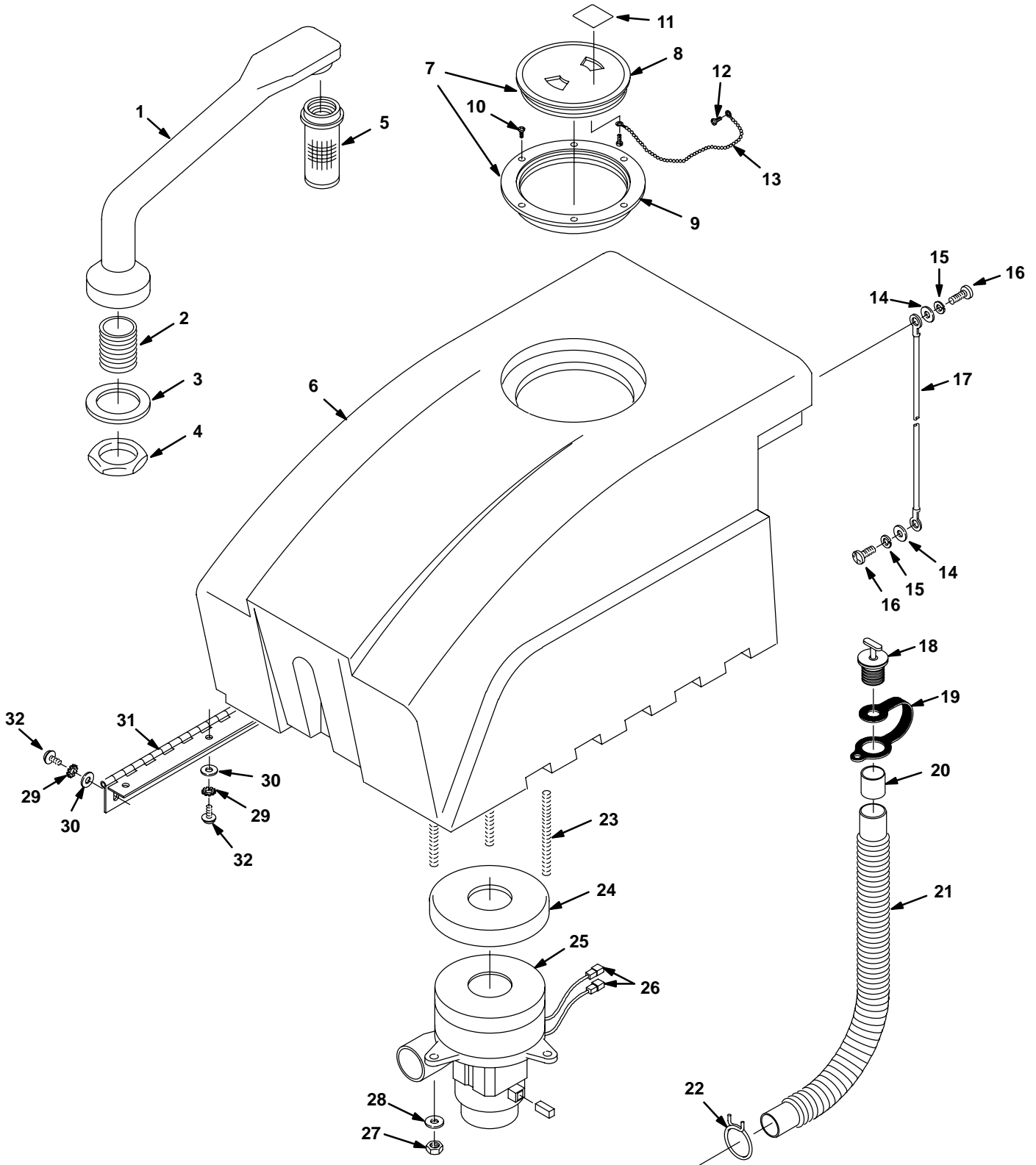
REF	PART #	DESCRIPTION	QTY.
▽ 3	240232	●PAD DRIVER ASM 14" (5540)	2
	240233	●PAD DRIVER ASM 17" (5560)	2
▲ 4	240238	LUGS, W/ SCREWS (SET OF 3)	6
▲ 5	100106	PLATE, PAD DRIVER BASE	2
▲ 6	100107	●RING, PAD RETAINER SNAP-IN	2

▽ ASSEMBLY / CONJUNTO

▲ INCLUDED IN ASSEMBLY / INCLUIDO EN EL CONJUNTO

● RECOMMENDED STOCK ITEMS / ARTICULOS RECOMENDADOS PARA
MANTENER EN EXISTENCIA

RECOVERY TANK GROUP
CONJUNTO DESPOSITO RECUPERAR



RECOVERY TANK GROUP
CONJUNTO DESPOSITO RECUPERAR

REF	PART #	DESCRIPTION	QTY.
▽	100162	ASM STANDPIPE W/NIPPLE	1
▲ 1	100759	STANDPIPE, RM-NAT	1
▲ 2	606088	FITTING, 1-1/2" NIPPLE CPVC	1
3	101714	●GASKET, WASTE AIR CHAMBER	1
4	210240	NUT, FLANGED 1-1/2	1
5	180613	●FLOAT, SHUT-OFF	1
6	607511	TANK, RECOVERY TEAL	1
▽ 7	100102	●ASM, CLEAR LID W/STD HOLE	1
▲ 8	100105	●LID, CLEAR CENTER ONLY	1
▲ 9	100109	●LID, OUTER RING ONLY	1
10	140826	SCREW, #6X3/4	6
11	606105	DECAL, DO NOT SPRAY	1
12	3701.6	SCREW, #6X3/8	2
13	230513	ASM, CHAIN	1
14	140027	WASHER, 5/16 FLAT	2
15	140015	WASHER, 5/16 SPLITLOCK	2
16	200031488	SCREW, M8X1.25X20	2

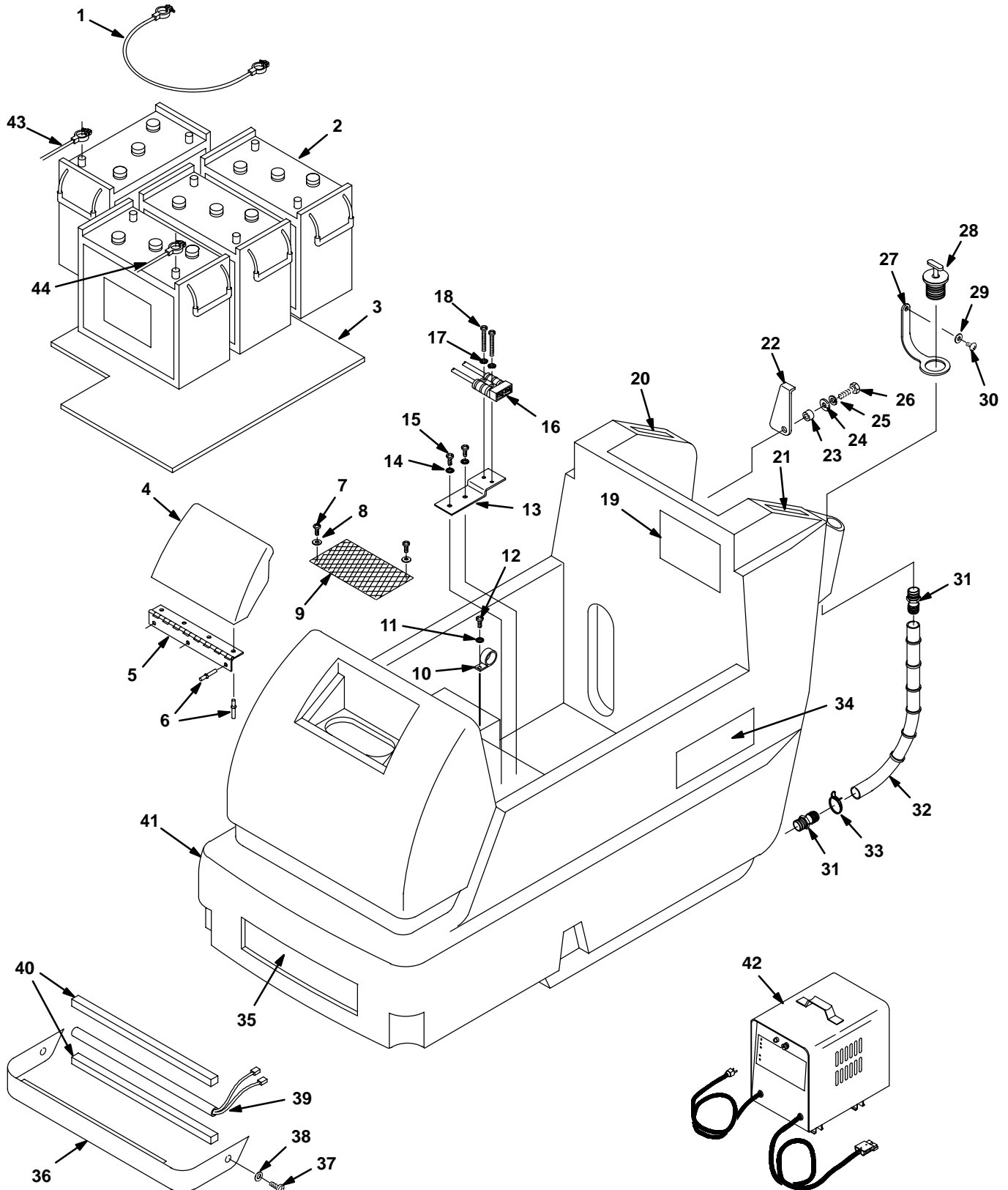
REF	PART #	DESCRIPTION	QTY.
17	140960	●CABLE, REC TANK SUPPORT	1
▽	603437	ASM, DRAIN HOSE	1
▲ 18	621324	●PLUG, EXPANSION 1-1/2"DIA	1
▲ 19	578441	●STRAP, DRAIN HOSE	1
▲ 20	630394	●SLEEVE, DRAIN HOSE 1.5"ID	1
▲ 21	630068	●HOSE, DRAIN 38.1ID X20"	1
▲ 22	607777	CLAMP, HOSE 1 WIRE BLACK	1
23	140353	SCREW, M6X1.0X108 STUD	3
24	0174..10	●SEAT, NEOPRENE MOTOR	1
25	130477	●MOTOR, VAC 5.7 3S 24V	1
	190163	●BRUSH, CARBON 2/PK	2
26	130096	TERMINAL, MALE	2
27	140000	WASHER, 1/4 FLAT	3
28	140284	NUT, M6X1.0 NYLOCK	3
29	140052	WASHER, 1/4 EXT	11
30	140000	WASHER, 1/4 FLAT	11
31	230938	●HINGE, REC TANK	1
32	578187000	SCREW, M6X1.0X12	11

▽ ASSEMBLY / CONJUNTO

▲ INCLUDED IN ASSEMBLY / INCLUIDO EN EL CONJUNTO

● RECOMMENDED STOCK ITEMS / ARTICULOS RECOMENDADOS PARA
MANTENER EN EXISTENCIA

CHASSIS GROUP
CONJUNTO TELAIO



CHASSIS GROUP
CONJUNTO TELAIO

REF	PART #	DESCRIPTION	QTY.
1	130367	CABLE, BATTERY 15" BLK X 6	3
2	606991	BATTERY 6V 305AH DUAL TERM	4
	130986	BATTERY 6V 250AH	4
3	100707	PLATE, BATTERY SUPPORT	1
∇	607982	ASM, COVER SOL. TANK TEAL	1
▲ 4	607515	COVER, SOL. TANK TEAL	1
▲ 5	230626	HINGE, COVER	1
▲ 6	140706	RIVET, POP 1/8	7
7	3701.6	SCREW, #6X3/8	2
8	140032	WASHER, #6 FLAT	2
9	602529	FILTER, SCREEN	1
10	140300	CLAMP, INSULATED 1/2" ID	1
11	140018	WASHER, #10 INT	1
12	578141000	SCREW, M5X10	1
13	230665	BRACKET, CHARGER PLUG	1
14	140018	WASHER, #10 INT	2
15	578141000	SCREW, M5X10	2
16	604556	ASM, CHARGE PLUG WIRE	1
17	140019	WASHER, #6 EXT	2
18	2728.12	SCREW 6-32X3/4	2
19	120567	DECAL, WARNING BATT. DIAGRAM	1
20	600649	DECAL, SOLUTION LEVER CE	1
21	600650	DECAL, SQUEEGEE LEVER CE	1
22	230925	SUPPORT, RECOVERY TANK	1
23	140116	BUSHING, 5/16ID X 7/16OD X .140	1

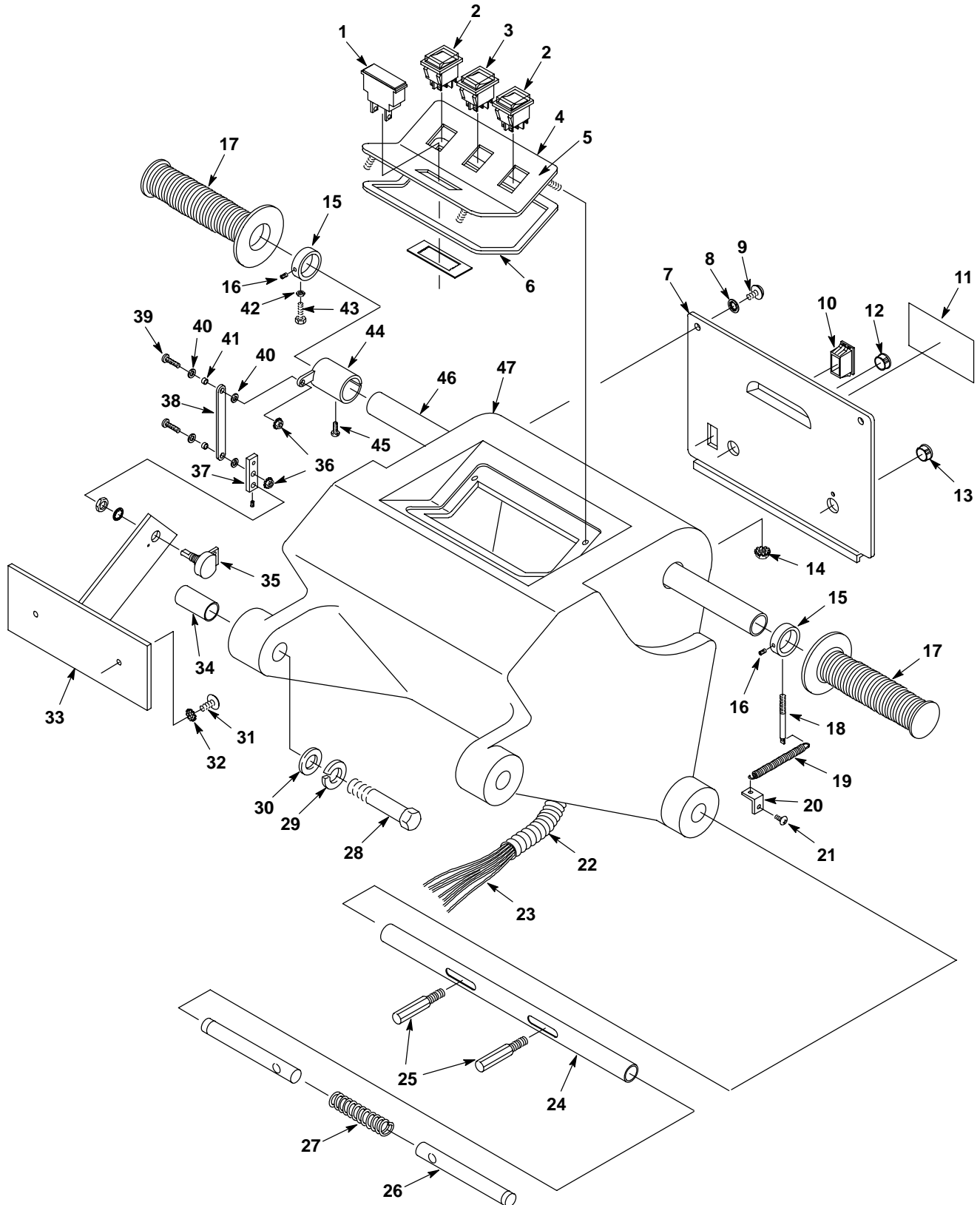
REF	PART #	DESCRIPTION	QTY.
24	140027	WASHER, 5/16 FLAT	1
25	140015	WASHER, 5/16 LOCK	1
26	578237000	SCREW M8 X 1.25 X 18	1
27	600476	STRAP, PLUG REAR FILL	1
28	621324	PLUG, EXPANSION	1
29	140012	WASHER, 3/16	1
30	140350	SCREW, #10X1/2	1
31	150529	FITTING, 3/4M X 3/4H BARB	2
32	600796	HOSE, DRAIN W/LEVEL INDCTR	1
33	608915	CLAMP, HOSE 2 WIRE	1
34	608110	DECAL, 5540	2
	608111	DECAL, 5560	2
35	120192	DECAL, TENNANT LOGO	1
36	230937.BK	SHIELD, LIGHT	1
37	578141000	SCREW, M5X10	2
38	140018	WASHER, #10 INT	2
39	130020	LIGHT, SAFETY 19"	1
40	605324	GASKET, 1/2" CLOSED CELL	2
41	607513	TANK, SOLUTION TEAL	1
42	130871	CHARGER, 24VDC 25AMP (FOR 250-305 AMP BATTERIES)	1
	601734	CHARGER, 24VDC 36AMP (FOR 250-335 AMP BATTERIES)	1
43	130390	ASM., WIRE #6 BLK 29"	1
44	130391	ASM., WIRE #6 RED 64"	1

∇ ASSEMBLY / CONJUNTO

▲ INCLUDED IN ASSEMBLY / INCLUIDO EN EL CONJUNTO

● RECOMMENDED STOCK ITEMS / ARTICULOS RECOMENDADOS PARA
MANTENER EN EXISTENCIA

CONTROL CONSOLE GROUP
CONJUNTO CONSOLA DE CONTROLES



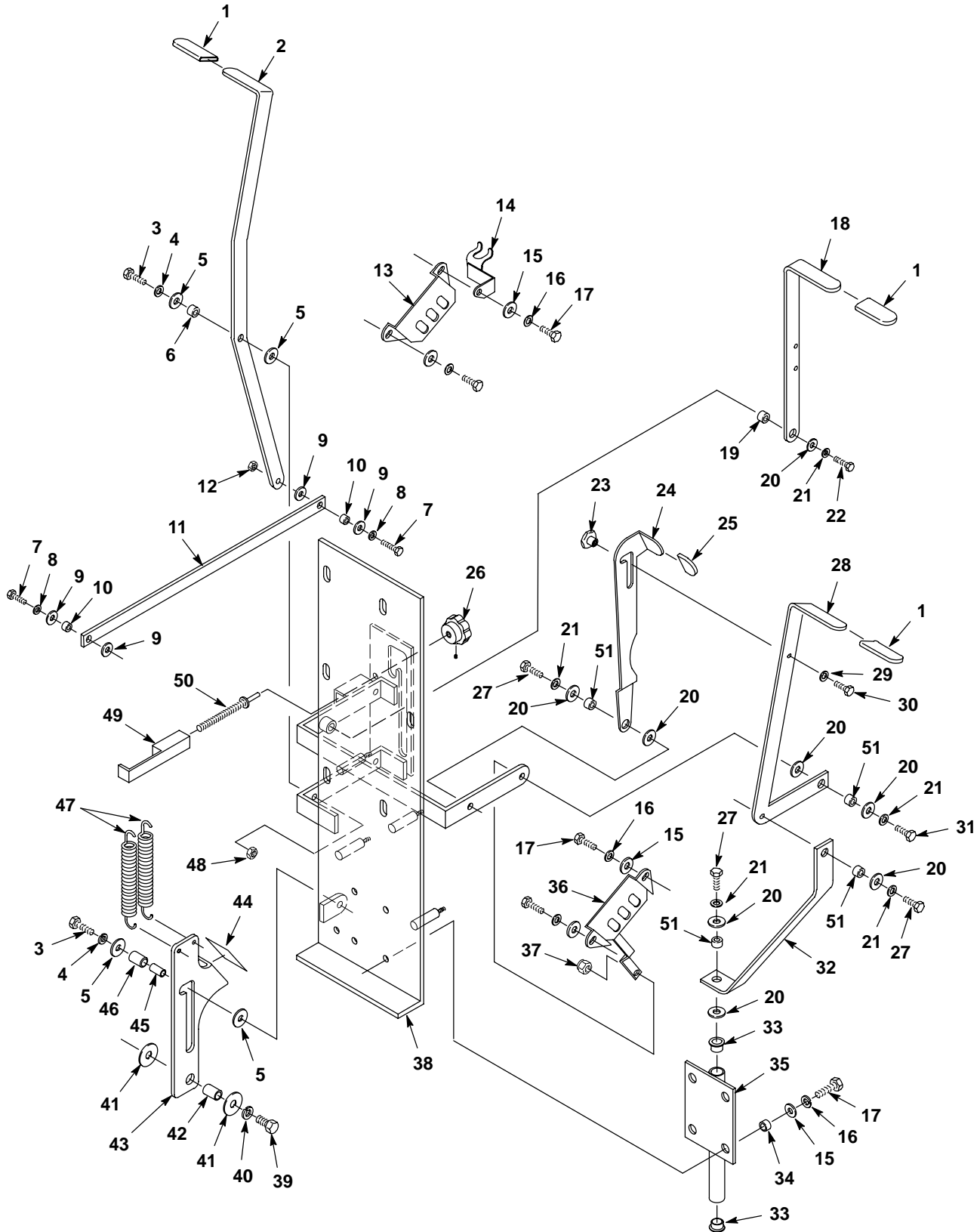
CONTROL CONSOLE GROUP
CONJUNTO CONSOLA DE CONTROLES

REF	PART #	DESCRIPTION	QTY.
1	606020	●METER, BATTERY VOLTAGE 24V	1
2	130816	●SWITCH, ROCKER SPST	2
3	130764	●SWITCH, ROCKER DPST 240V	1
4	230698.BK	PANEL, CONSOLE BLACK	1
5	600648	DECAL, DASH CE	1
6	100057	GASKET, CONSOLE	1
7	606276	PANEL, REAR COVER	1
8	140018	WASHER, #10 INT	2
9	140887	SCREW, 10-24X3/8	2
10	582150	PLUG, ACCESSORY SWITCH	1
11	120619	DECAL, WARNING	1
12	130198	PLUG, PRY OUT .500 OD	1
13	069764626	PLUG, HOLE 012.7	1
14	140519	NUT, 10-24 KEP	4
15	230652	COLLAR, HANDLE	2
16	140859	SCREW, 1/4-20X1/4 SET	2
17	200823	GRIP, HANDLE TUBE	2
18	230491	PIN, SPRING RETURN	1
19	140409	SPRING, ROLL THROTTLE	1
20	230564	BRACKET, SPRING	1
21	140900	SCREW, 10-24X3/4	1
22	130008	WRAP, LOOM .50DX1.25'	1
23	600646	HARNESS, HOUSING	1
24	230613	TUBE, HANDLE ADJUSTMENT	1

REF	PART #	DESCRIPTION	QTY.
25	230649	PIN, HANDLE ADJUSTMENT	2
26	230648	PIN, HANDLE ADJUSTMENT LOCK	2
27	140415	SPRING, LOCK PIN	1
28	140351	SCREW, M12X1.75X70	2
29	140024	WASHER, 1/2 LOCK	2
30	3148.816	WASHER, .875X.515X.06 FLAT	2
31	140885	SCREW, 1/4-20X1/2	2
32	140052	WASHER, 1/4 EXT	2
33	230690	BRACKET, SPEED POT	1
34	140155	BUSHING, .48X.62X2.00	2
35	190802	KIT, POT REPLACEMENT	1
36	140519	NUT, 10-24 KEP	2
37	230688	LEVER ARM, SPEED POT	1
38	230689	LINK, SPEED POT	1
39	140900	SCREW, 10-24X3/4	2
40	140012	WASHER, 3/16 FLAT	4
41	140138	BUSHING, .19X.25X.14	2
42	140510	NUT 1/4-20 HXJM	1
43	140554	SCREW, 1/4-20X3/4	1
44	230687	BRACKET, SPEED POT TUBE	1
45	140899	SCREW, 10-24X1-1/4	1
46	230671	HANDLE, TUBE	1
47	607509	HOUSING, CONTROL TEAL	1

- RECOMMENDED STOCK ITEMS / ARTICULOS RECOMENDADOS PARA MANTENER EN EXISTENCIA

LEVER GROUP
CONJUNTO DE PALANCAS

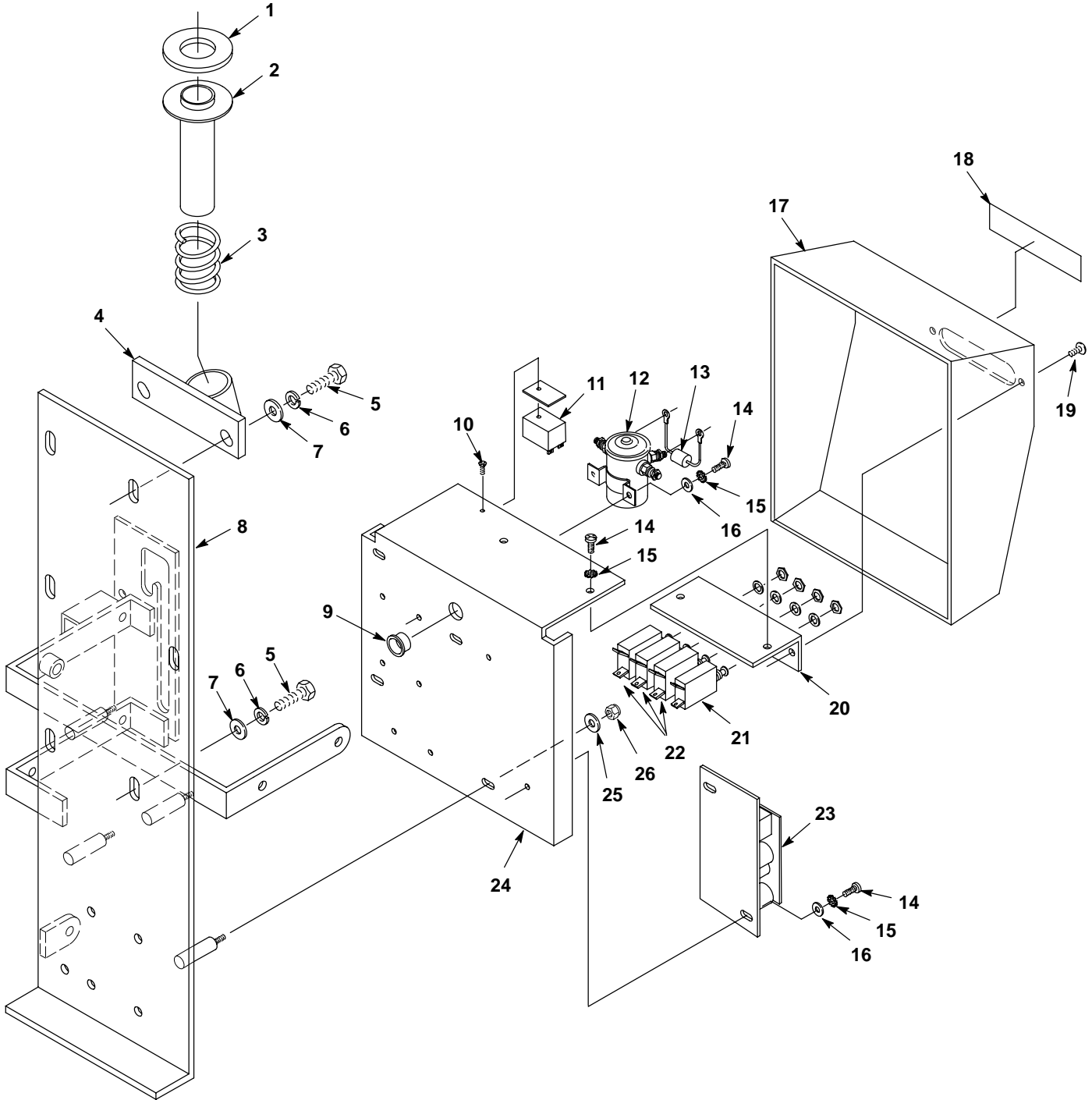


LEVER GROUP
CONJUNTO DE PALANCAS

REF	PART #	DESCRIPTION	QTY.
1	200816	GRIP, HANDLE 1/4 X 1 X 2 1/4	3
2	230680	HANDLE, VALVE HANDLE	1
3	140202	SCREW, 3/8-16X1	2
4	140017	WASHER, 3/8 SPLITLOCK	2
5	140028	WASHER, 3/8 FLAT	4
6	140136	BUSHING, .38X.50X.28	1
7	140208	SCREW, 1/4-20X1	2
8	140016	WASHER, 1/4 LOCK	2
9	140000	WASHER, 1/4 FLAT	4
10	140134	BUSHING, .25X.38X.27	2
11	230656	LEVER, VALVE	1
12	140510	NUT, 1/4-20 HEXJAM	1
13	230661	PLATE, LOCK CONTROL HOUSING	1
14	602641	BRACKET, DRAIN HOSE HANGER	1
15	140027	WASHER, 5/16 FLAT	4
16	140015	WASHER, 5/16 SPLITLOCK	4
17	578237000	SCREW, M8X1.25X18	8
18	230654	HANDLE, BRUSH PRESSURE	1
19	140144	BUSHING, .38X.50X.50	1
20	140028	WASHER, 3/8 FLAT	9
21	140017	WASHER, 3/8 SPLITLOCK	5
22	2949.7	SCREW, 3/8-16X7/8	1
23	230631	SPACER, SQUEEGEE LIFT	1
24	230659	LATCH, SQUEEGEE HANDLE	1
25	200817	GRIP, HANDLE .095X7/8X1-3/8	1
26	240208	KNOB, HEIGHT ADJUSTMENT	1

REF	PART #	DESCRIPTION	QTY.
27	140201	SCREW, 3/8-16X3/4	3
28	230658	HANDLE, SQUEEGEE LEVER	1
29	140016	WASHER, 1/4 LOCK	1
30	140259	SCREW, 1/4-20X5/8	1
31	140231	SCREW, 3/8-16X1-1/2	1
32	230660	LINK, SQUEEGEE HANDLE	1
33	140103	BEARING, FLANGE 5/8"	2
34	140133	BUSHING, SQUEEGEE MNT BRKT	4
35	230750	BRACKET, SQUEEGEE MOUNT	1
36	230297	PLATE, LOCK CONTROL HOUSING	1
37	140515	NUT, 3/8-16 NYLOCK	1
38	230933.BK	PANEL, REAR WELDMENT	1
39	140237	SCREW, 1/2-13X1	1
40	140024	WASHER, 1/2 LOCK	1
41	140045	WASHER, .510X1.25X.06 FLAT	2
42	140139	BUSHING, BRUSH LIFT PEDAL	1
43	230775	LATCH, BRUSH LIFT PEDAL	1
44	102560	PAD, NON-SLIP 1.62 SQ.	1
45	140136	BUSHING, .38X.50X.28 (INNER)	1
46	140145	BUSHING, LIFT LATCH (OUTER)	1
47	140423	SPRING, BRUSH PRESSURE	2
48	140525	NUT, 3/8-16 HEX	1
49	230944	BLOCK, VALVE STOP	1
50	230945	STUD, VALVE ADJUSTMENT STOP	1
51	140136	BUSHING, .38X.50X.28	4

ELECTRICAL PANEL GROUP
CONJUNTO CONSOLA ELÉCTRICO



ELECTRICAL PANEL GROUP
CONJUNTO CONSOLA ELÉCTRICO

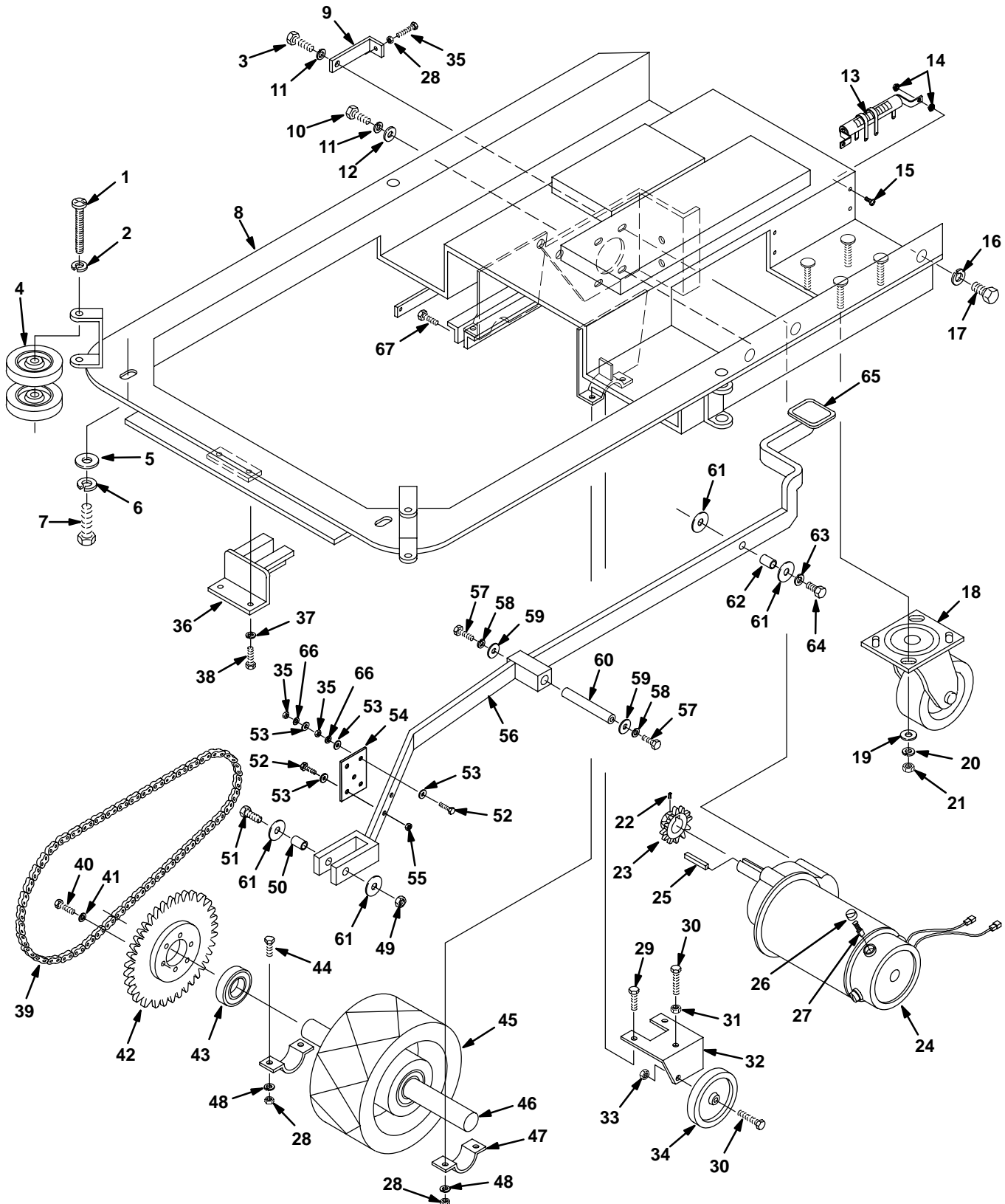
630010
630011
630267
608706

REF	PART #	DESCRIPTION	QTY.
1	140151	GASKET, TUBE-ADAPTER	1
2	230004	ADAPTER, TUBE	1
3	140124	SPRING, TUBE-ADAPTER	1
4	230939	BRACKET, TUBE WELDMENT	1
5	578237000	SCREW, M8X1.25X18	5
6	140015	WASHER, 5/16 SPLITLOCK	5
7	140027	WASHER, 5/16 FLAT	5
8	230933.BK	PANEL, REAR WELDMENT	1
9	130104	BUSHING, SNAP .88ID - BLACK	1
10	140565	SCREW, 4-40X3/8	1
11	130021	●FLASHER, 24VDC	1
12	605905	●SOLENOID, 24 VDC	3
13	606404	●ASM, DIODE W/RING TERMINALS	3

REF	PART #	DESCRIPTION	QTY.
14	140887	SCREW, 10-24X3/8	10
15	140031	WASHER, #10 EXTERNAL	8
16	140012	WASHER, 3/16 FLAT	8
17	100234	COVER, ELECTRICAL PANEL	1
18	600651	DECAL, CIRCUIT BREAKER CE	1
19	140197	SCREW, 10-24X3/8	2
20	230553	BRACKET, CIRCUIT BREAKER	1
21	130755	●BREAKER, CIRCUIT 10A	1
22	130756	●BREAKER, CIRCUIT 35A	3
23	190959	ASM, SPEED CONTROL	1
24	230552	PANEL, ELECTRICAL	1
25	140000	WASHER, 1/4 FLAT	4
26	140284	NUT, M6X1.0 NYLOCK	4

- RECOMMENDED STOCK ITEMS / ARTICULOS RECOMENDADOS PARA MANTENER EN EXISTENCIA

DRIVE WHEEL GROUP
CONJUNTO RUEDA DE MANDO



DRIVE WHEEL GROUP
CONJUNTO RUEDA DE MANDO

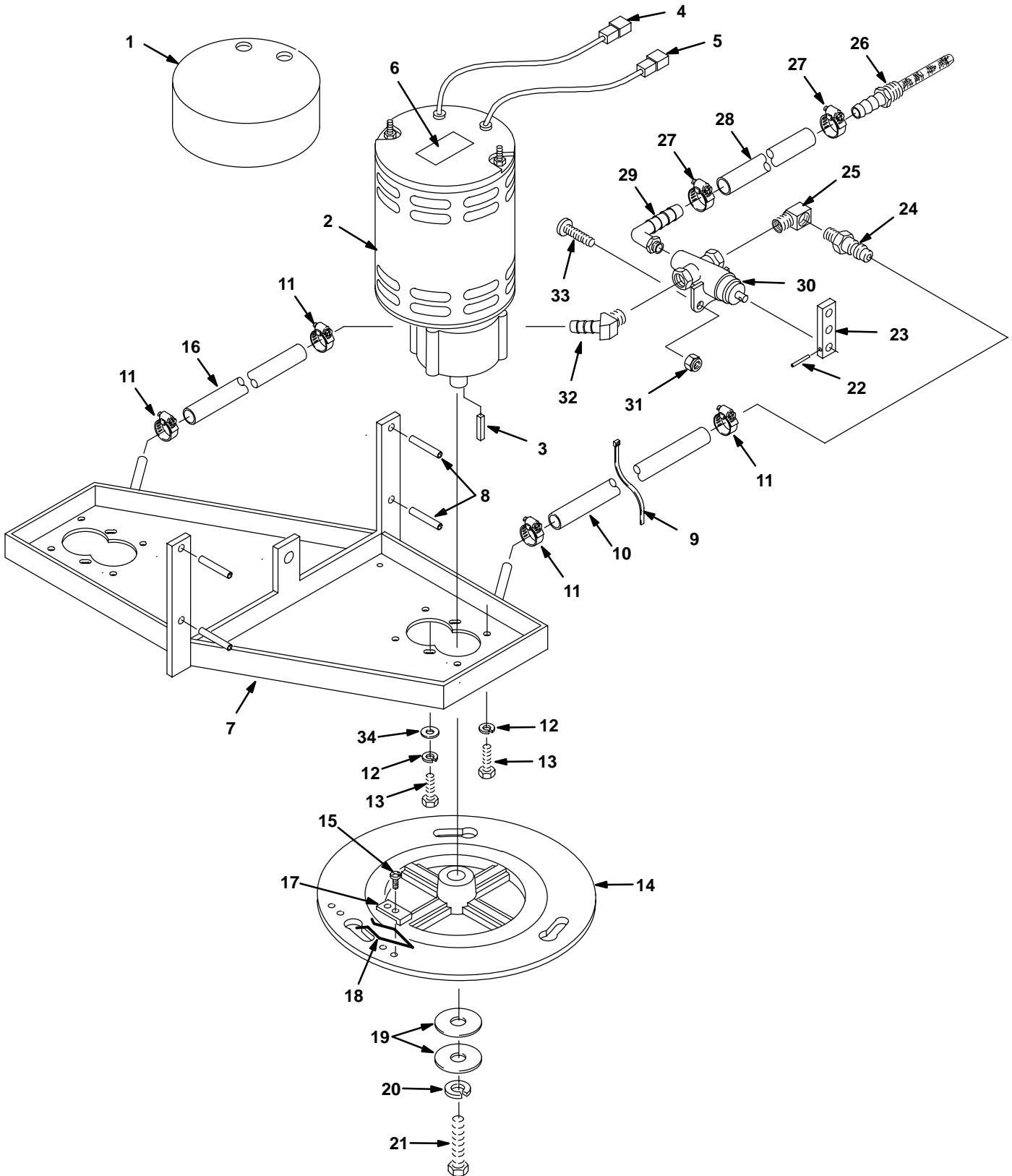
REF	PART #	DESCRIPTION	QTY.
1	600349	SCREW, 5/16-18 X 2-3/4	2
2	140015	WASHER, 5/16 SPLITLOCK	2
3	140232	SCREW, 3/8-16X1-1/4	1
4	630450	WHEEL, 76 DIA X 22 WD RUBBER	4
5	140027	WASHER, 5/16 FLAT	2
6	140333	WASHER, M10 LOCK	2
7	140276	SCREW, M10 X 1.5 X 16MM	2
8	230932.BK	CHASSIS, WELDMENT	1
9	230655	BRACKET, DRIVE MTR TENSION	1
10	140202	SCREW, 3/8-16 X 1	3
11	140017	WASHER, 3/8 LOCK	3
12	140028	WASHER, 3/8 FLAT	3
13	130713	●RESISTOR, 100 WATT .9 OHM	2
14	140519	NUT, 10-24 KEP	8
15	140900	SCREW, 10-24 X 3/4	4
16	140024	WASHER, 1/2 LOCK	2
17	140352	SCREW, M12 X 1.75 X 25	2
18	103002	●CASTER, 4" SWIVEL	2
19	140036	WASHER, 3/8 FLAT	8
20	140333	WASHER, M10 SPLITLOCK	8
21	140285	NUT, HEX M10 X 1.5	8
22	140859	SCREW, 1/4-20 X 1/4	1
23	240071	SPROCKET, DRIVE MOTOR #40-10	1
▽ 24	130464	●MOTOR, DRIVE 24V	1
▲ 25	140632	KEY, 1/4 X 1"	1
▲ 26	130507	●CAP, CARBON BRUSH	4
▲ 27	130508	●CARBON BRUSH	4
28	140525	NUT, 3/8-16 HEX	5
29	140232	SCREW, 3/8-16 X 1-1/4	2
30	140233	SCREW, 3/8-16 X 1-3/4	2
31	140525	NUT, 3/8-16	1
32	230796	BRACKET, WHEEL SUPPORT	1
33	140525	NUT, 3/8-16	1
34	103007	WHEEL, 4" X 1" 3/8	1

REF	PART #	DESCRIPTION	QTY.
35	140510	NUT, 1/4-20 HEXJAM	4
36	230941	BRACKET, FRONT LIFT GUIDE	1
37	140015	WASHER, 5/16	2
38	140275	SCREW, M8 X 1.25 X 16	2
39	606426	●KIT, CHAIN & LINK	1
40	140223	SCREW, 5/16-18 X 3/4	6
41	140015	WASHER, 5/16	6
42	240070	SPROCKET, DRIVE WHEEL	1
43	140124	BEARING	2
44	140232	SCREW, 3/8-16 X 1-1/4	2
45	103058	WHEEL, DRIVE 8" SCRUBBER	1
46	230205	SHAFT, DRIVE WHEEL	1
47	140311.BK	CLAMP, WHEEL AXLE BLACK	2
48	140017	WASHER, 3/8 SPLITLOCK	4
49	140509	NUT, 1/2-13 HEXJAM	1
50	140137	BUSHING, .50X.62X.53	1
51	600666	SCREW, 1/2-13X1-3/4	1
52	140208	SCREW, 1/4-20X1	5
53	140000	WASHER, 1/4 FLAT	8
54	230554	BOARD, CONNECTION	1
55	140524	NUT, 1/4-20 KEP	2
56	611396	ARM, BRUSH LIFT WELDMENT	1
57	140272	SCREW, M6X1.0X16	2
58	140016	WASHER, 1/4 LOCK	2
59	140003	WASHER, 1/4X1 FENDER	2
60	230940	PIN, LIFT ARM PIVOT	1
61	140045	WASHER, .510X1.25X.06 FLAT	4
62	140139	BUSHING, BRUSH LIFT PEDAL	1
63	140024	WASHER, 1/2 LOCK	1
64	140237	SCREW, 1/2-13X1	1
65	102560	PAD, NON-SLIP 1.62 SQ.	1
66	140016	WASHER, 1/4 LOCK	6
67	140895	SCREW, 10-24X3/4	2

● RECOMMENDED STOCK ITEMS / ARTICULOS RECOMENDADOS PARA MANTENER EN EXISTENCIA



BRUSH DRIVE AND SOLUTION HOSE GROUP
ACCIONAMIENTO DEL CEPILLO Y GRUPO DE MANGUERA DE SOLUCION



BRUSH DRIVE AND SOLUTION HOSE GROUP
ACCIONAMIENTO DEL CEPILLO Y GRUPO DE MANGUERA DE SOLUCION

REF	PART #	DESCRIPTION	QTY.
1	100764	COVER, BRUSH MOTOR	2
∇ 2	130491	●MOTOR, W/GEARBOX 3/4HP IMP	2
▲	190970	●CARBON BRUSH	4
▲ 3	140632	KEY, 1/4 X 1"	1
4	130191	TERMINAL, FEMALE 1/4 #10	2
5	130129	TERMINAL, FML DISCNCT RED	2
6	606243	TAPE, DOUBLE STICK	1
7	230691	BRACKET, MOTOR MOUNT	1
8	140618	PIN, ROLL 1/4 X 1-1/2	4
9	130041	WIRE TIE	1
10	606248	HOSE, 3/8ID X 14.5"	1
11	140310	CLAMP, HOSE 5/16-7/8	2
12	140017	WASHER, 3/8 SPLITLOCK	8
13	140202	SCREW, 3/8-16 X 1	8
14	230672	PLATE, DRIVE	1
15	140197	SCREW, 10-24 X 3/8	4
16	606249	HOSE, 3/8ID X 8"	1
17	230651	CLAMP, BRUSH PLATE	2

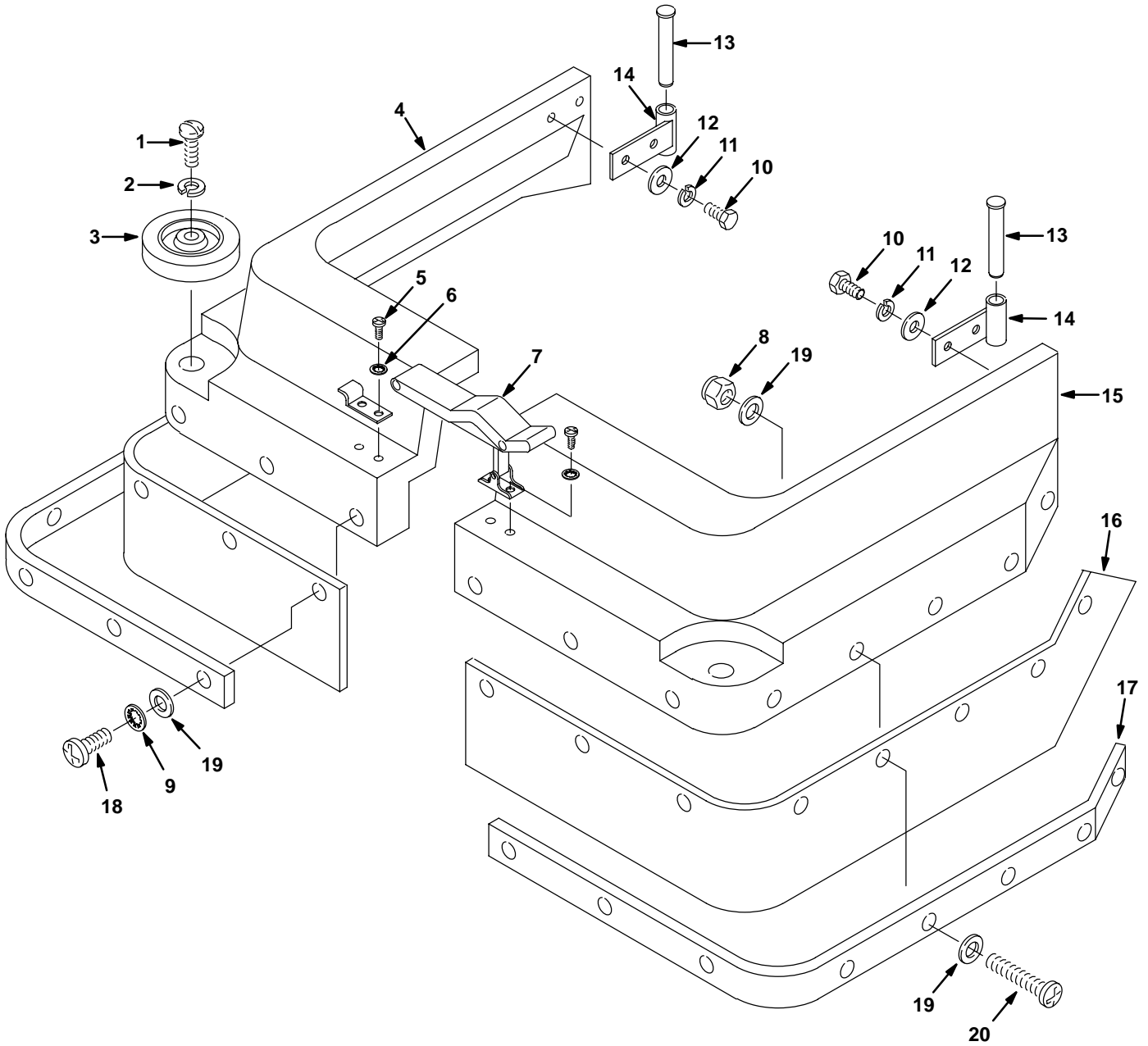
REF	PART #	DESCRIPTION	QTY.
18	140417	CLIP, SPRING	2
19	25732	WASHER, 1.25 X .359 X .093	4
20	140015	WASHER, 5/16 SPLITLOCK	2
21	140219	SCREW, 5/16-18 X 1	2
22	140616	PIN, ROLL 3/32DIAX5/8	1
23	230657	ARM, VALVE	1
24	150516	FITTING, 1/4MX3/8H BARB	1
25	150406	FITTING, 1/4MX1/4F ELBOW 90	1
26	180640	FILTER, SCREEN	1
27	140310	CLAMP, HOSE 5/16-7/8	2
28	600350	TUBING, VINYL	1.1 ft
29	150409	FITTING, 1/4MX5/8H ELBOW 90	1
30	210259	VALVE, 3-WAY 5/16 PORTS	1
31	140552	NUT, 10-24 NYLCK	2
32	605394	FITTING, HOSE BARB	1
33	140895	SCREW, 10-24X3/4	2
34	140028	WASHER, 3/8 FLAT	4

∇ ASSEMBLY / CONJUNTO

▲ INCLUDED IN ASSEMBLY / INCLUIDO EN EL CONJUNTO

● RECOMMENDED STOCK ITEMS / ARTICULOS RECOMENDADOS PARA
MANTENER EN EXISTENCIA

SKIRT GROUP
CONJUNTO JUEGO



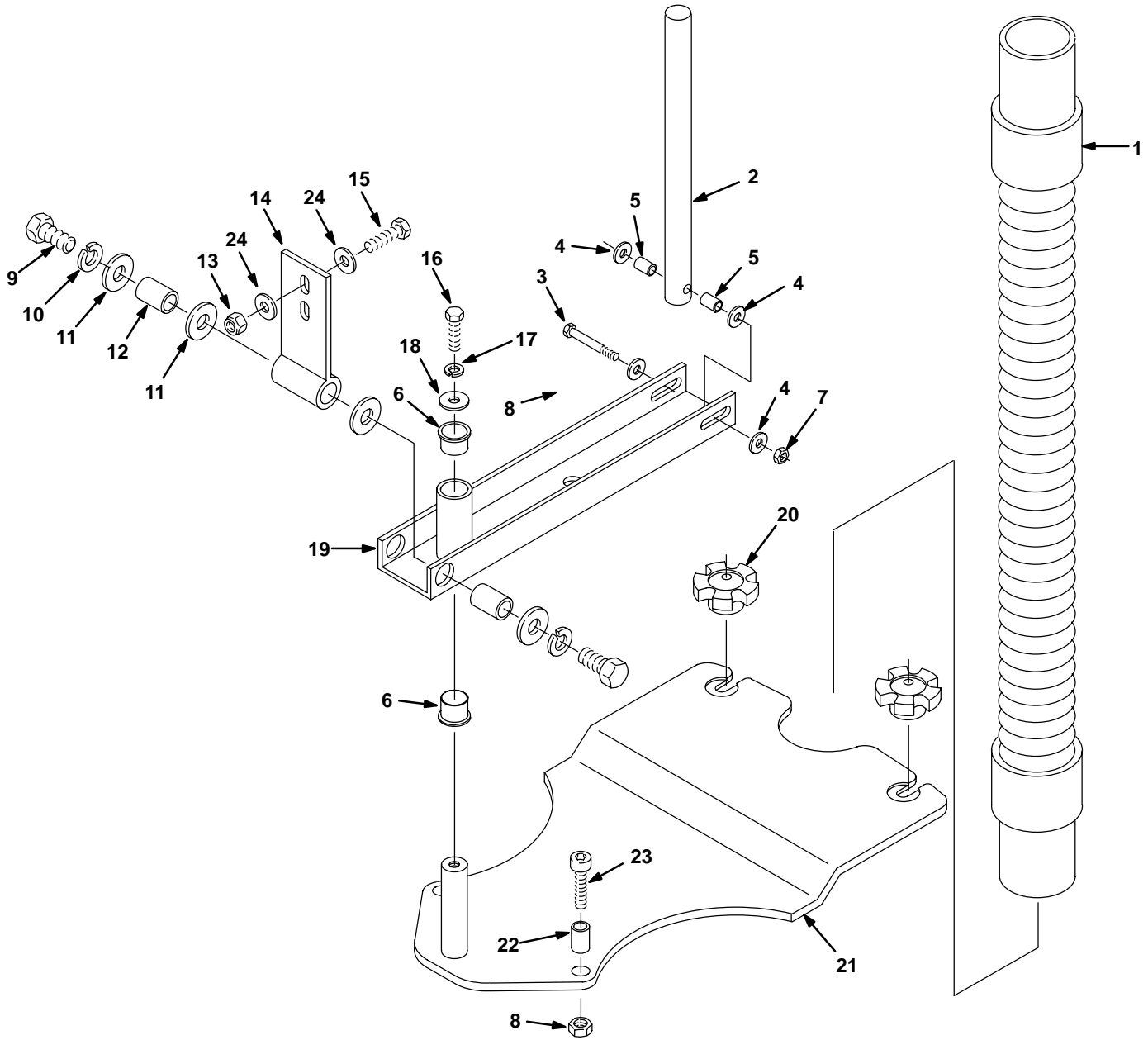
SKIRT GROUP
CONJUNTO JUEGO

REF	PART #	DESCRIPTION	QTY.
1	603154	SCREW, M8 X 1.25 X 40	2
2	140015	WASHER, 5/16 SPLITLOCK	2
3	630450	●WHEEL, 76 DIA X 22 WD RUBBER	2
4	607519	SKIRT, RIGHT SIDE TEAL (5540)	1
	607543	SKIRT, RIGHT SIDE TEAL (5560)	1
5	200070340	SCREW, M4 X .7 X 8	4
6	140023	WASHER, #8 INT	4
7	140932	LATCH, HOOD W/KEEPER	1
8	140283	NUT, M5 X .8 NYLOCK	6-12
9	140018	WASHER, #10 INT	12-16
10	578237000	SCREW, M8 X 1.25 X 18	4
11	140015	WASHER, 5/16 SPLITLOCK	4
12	140027	WASHER, 5/16 FLAT	4
13	230943	PIN, SKIRT	2

REF	PART #	DESCRIPTION	QTY.
14	230942	BRACKET, SKIRT MOUNT	2
15	607517	SKIRT, LEFT SIDE TEAL (5540)	1
15	607545	SKIRT, LEFT SIDE TEAL (5560)	1
16	240277	SPLASH GUARD, (5540)	2
	240276	SPLASH GUARD, (5560)	2
17	230935.BK	STRAP, SPLASH GUARD (5540)	2
	230934.BK	STRAP, SPLASH GUARD (5560)	2
18	578144000	SCREW, M5X16	22-24
19	140011	WASHER, 3/16 FLAT	18-28
20	140293	SCREW, M5X.8X30	6-12

- RECOMMENDED STOCK ITEMS / ARTICULOS RECOMENDADOS PARA MANTENER EN EXISTENCIA

SQUEEGEE CONTROL GROUP
GRUPO DE CONTROL DE LA ESCOBILLA DE GOMA



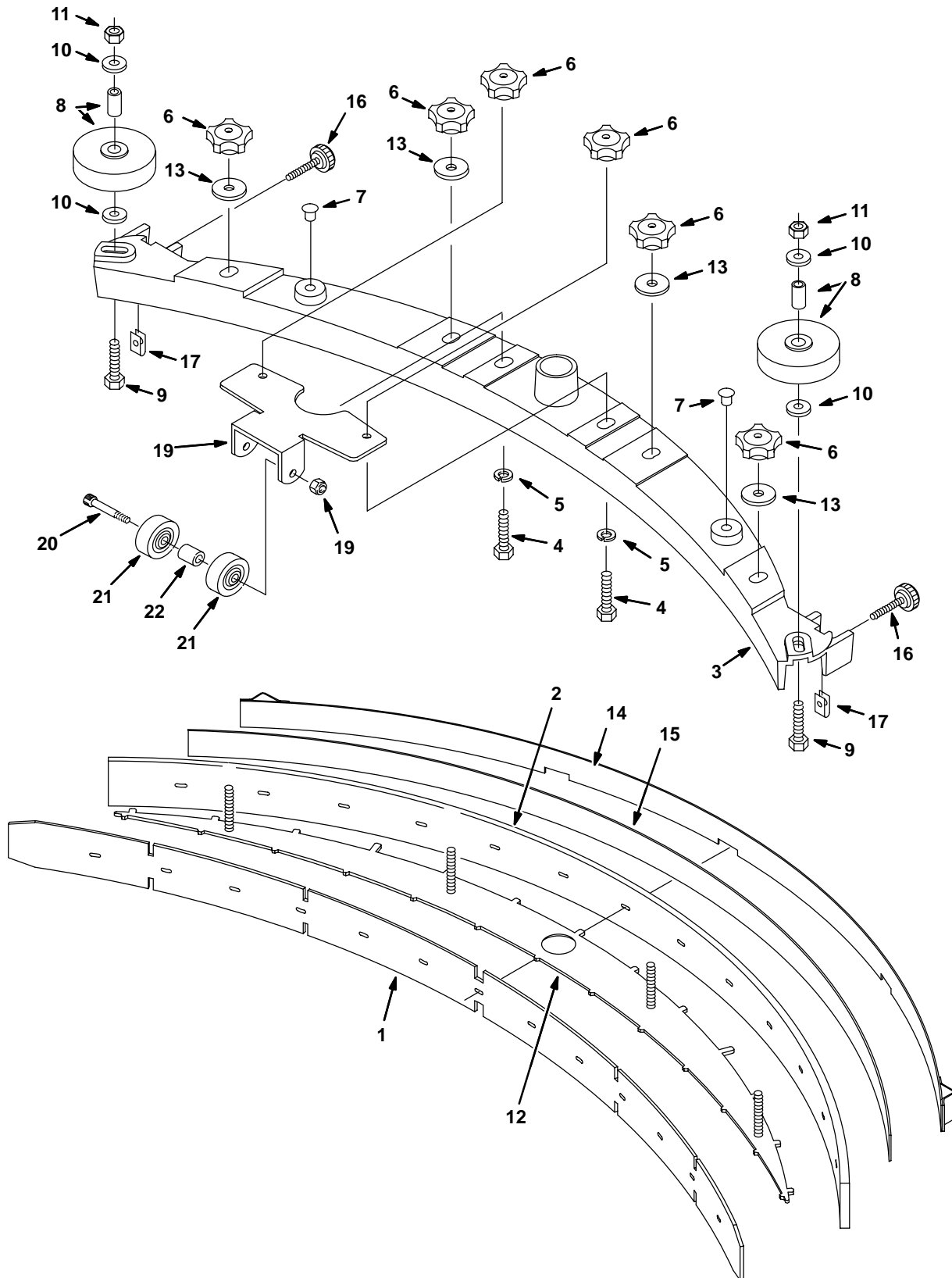
SQUEEGEE CONTROL GROUP
GRUPO DE CONTROL DE LA ESCOBILLA DE GOMA

REF	PART #	DESCRIPTION	QTY.
1	611847	●HOSE, VAC 1.5 X 30" W/ CUFFS	1
2	230441	SHAFT, LIFT	1
3	140209	SCREW, 1/4-20 X 2-1/2	1
4	140000	WASHER, 1/4	4
5	28971	BEARING SLEEVE	2
6	140103	BEARING, FLANGE	2
7	140501	NUT, 1/4-20	1
8	06434	NUT, CLINCH M10X1.5	2
9	140237	SCREW, 1/2-13 X 1	2
10	140024	WASHER, 1/2	2
3148.816	140045	WASHER, 0.52B 0.88D .06	4
12	140139	BUSHING, BRUSH LIFT PEDAL	2

REF	PART #	DESCRIPTION	QTY.
13	140546	NUT, 5/16-18	2
14	611777	BRACKET, SQUEEGEE MOUNT	1
15	140221	SCREW, 5/16-18 X 1-1/4	2
16	140259	SCREW, 1/4-20 X 5/8	1
17	140016	WASHER, 1/4	1
18	140003	WASHER, 1/4 X 1	1
19	230440.BK	BRACKET, SQUEEGEE PIVOT	1
20	605361	KNOB, 5/16-18 BLACK	2
21	611397	BRACKET, MOUNT SQUEEGEE	1
22	390879	SPACER, .63OD, .38L	2
23	611476	SCREW, M10X30MM, SHCS	2
24	140027	WASHER, 5/16	4

- RECOMMENDED STOCK ITEMS / ARTICULOS RECOMENDADOS PARA MANTENER EN EXISTENCIA

CURVED SQUEEGEE GROUP
CONJUNTO PALETA ENCORUADO



CURVED SQUEEGEE GROUP
CONJUNTO PALETA ENCORUADO

REF	PART #	DESCRIPTION	QTY.
∇	612029	ASM., SQUEEGEE LINATEX & GUM RUBBER 965MM (38 IN) (5540 MODEL)	1
	612030	ASM., SQUEEGEE LINATEX & GUM RUBBER 1067MM (42 IN) (5560 MODEL)	1
∇	609114	●KIT, SQUEEGEE BLADES, LINATEX & GUM RUBBER 965MM (38 IN) (5540 MODEL)	1
▲ 1	222381	●BLADE, FRONT SQUEEGEE, LINATEX RED 965MM (38 IN) (5540 MODEL)	1
▲ 2	609056	●BLADE, REAR SQUEEGEE GUM RUBBER TAN 965MM (38 IN) (5540 MODEL)	1
▲∇	609115	●KIT, SQUEEGEE BLADES, LINATEX 965MM (38 IN) (5540 MODEL)	1
▲ 1	222381	●BLADE, FRONT SQUEEGEE, LINATEX RED 965MM (38 IN) (5540 MODEL)	1
▲ 2	609055	●BLADE, REAR SQUEEGEE LINATEX RED 940MM (37 IN) (5540 MODEL)	1
▲ 1	222241	●BLADE, FRONT SQUEEGEE, LINATEX RED 1067MM (42 IN) (5560 MODEL)	1
▲ 2	611402	●BLADE, REAR SQUEEGEE LINATEX RED 1067MM (42 IN) (5560 MODEL)	1
1	222391	●BLADE, FRONT SQUEEGEE URETHANE WHITE 965MM (38 IN) (5540 MODEL)	1
	222392	●BLADE, FRONT SQUEEGEE URETHANE WHITE 1067MM (42 IN) (5560 MODEL)	1
2	611713	●BLADE, REAR SQUEEGEE URETHANE WHITE 965MM (38 IN) (5540 MODEL)	1
	611457	●BLADE, REAR SQUEEGEE URETHANE WHITE 1067MM (42 IN) (5560 MODEL)	1
	611405	●BLADE, REAR SQUEEGEE GUM RUBBER TAN 1067MM (42 IN) (5560 MODEL)	1
1	222385	●BLADE, FRONT SQUEEGEE GUM RUBBER TAN 965MM (38 IN) (5540 MODEL – FOR GROUTED TILE FLOOR)	1
	222384	●BLADE, FRONT SQUEEGEE GUM RUBBER TAN 1067MM (42 IN) (5560 MODEL – FOR GROUTED TILE FLOOR)	1

REF	PART #	DESCRIPTION	QTY.
▲ 3	611661	CASTING, SQUEEGEE (5540 MODEL)	1
	611401	CASTING, SQUEEGEE (5560 MODEL)	1
▲ 4	140799	SCREW, 5/16–18X1–1/2	2
▲ 5	140015	WASHER, 5/16 SPLITLOCK	2
▲ 6	605361	●KNOB, 5/16–18	6
▲ 7	130164	PLUG, DOME 3/8"	2
▲ 8	630450	WHEEL, 76 DIA X 22	2
▲ 9	621286000	SCREW, M8X1.25X45	2
▲ 10	140027	WASHER, 5/16 FLAT	4
▲ 11	200160017	NUT, M8 LOCK	2
▲ 12	222368	PLATE, BLADE RETAINER (5540 MODEL)	1
	222240	PLATE, BLADE RETAINER (5560 MODEL)	1
▲ 13	140055	WASHER, .343X1.25X.051–.080	4
▲ 14	222378	BAND WELDMENT, SQUEEGEE BLADE (5540 MODEL)	1
	222243	BAND WELDMENT, SQUEEGEE BLADE (5560 MODEL)	1
▲ 15	609110	SPACER, SQUEEGEE (5540 MODEL)	1
	611398	SPACER, SQUEEGEE (5560 MODEL)	1
▲ 16	222794	●KNOB, 1/4–20X1–1/2	2
▲ 17	82138	NUT, SPEED RETAINER .25–20	2
▲ 18	601108000	NUT, HEX LOCK	1
▲ 19	611399	BRACKET, ROLLER SQUEEGEE	1
▲ 20	603144	SCREW, SHOULDER	1
▲ 21	630477	WHEEL	2
▲ 22	603368	SPACER	1

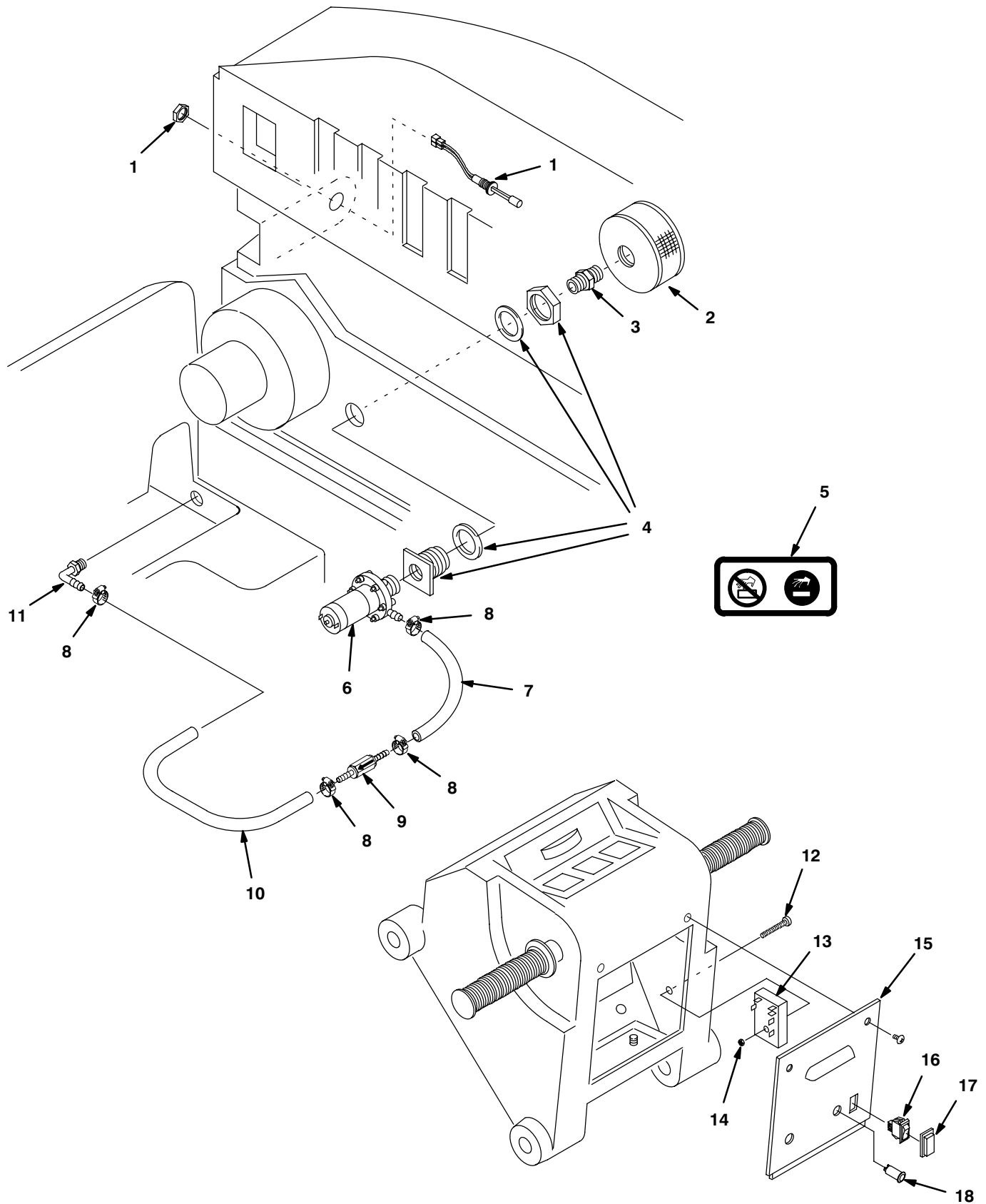
∇ ASSEMBLY / CONJUNTO

▲ INCLUDED IN ASSEMBLY / INCLUIDO EN EL CONJUNTO

● RECOMMENDED STOCK ITEMS / ARTICULOS RECOMENDADOS PARA MANTENER EN EXISTENCIA

* NOTE: TWO SQUEEGEE SPACERS ARE REQUIRED WITH REAR URETHANE BLADES #611713 & 611457 / SE REQUIEREN DOS SEPARADORES DE ESCOBILLA CON LA HOJA DE URETANO #611713 Y 611457.

ES™ KIT
ES™ JUEGO



**ES™ KIT
ES™ JUEGO**

REF	PART #	DESCRIPTION	QTY.
∇	605555	KIT, ES™	1
▲ 1	603166	SWITCH, LIQUID LEVEL W/NUT	1
▲ 2	630138	FILTER, SCREEN	1
▲ 3	630385	FITTING, 3/4M NIPPLE	1
▲ 4	601490	FITTING, 3/4NPT BULKHEAD	1
▲ 5	630440	DECAL, FILTER REMOVE	1
▲ 6	630136	PUMP, SOLUTION 24VDC	1
▲ 7	25160	TUBING, 5/8X.5'	1
▲ 8	140310	CLAMP, HOSE	4
▲ 9	210044	VALVE, CHECK	1

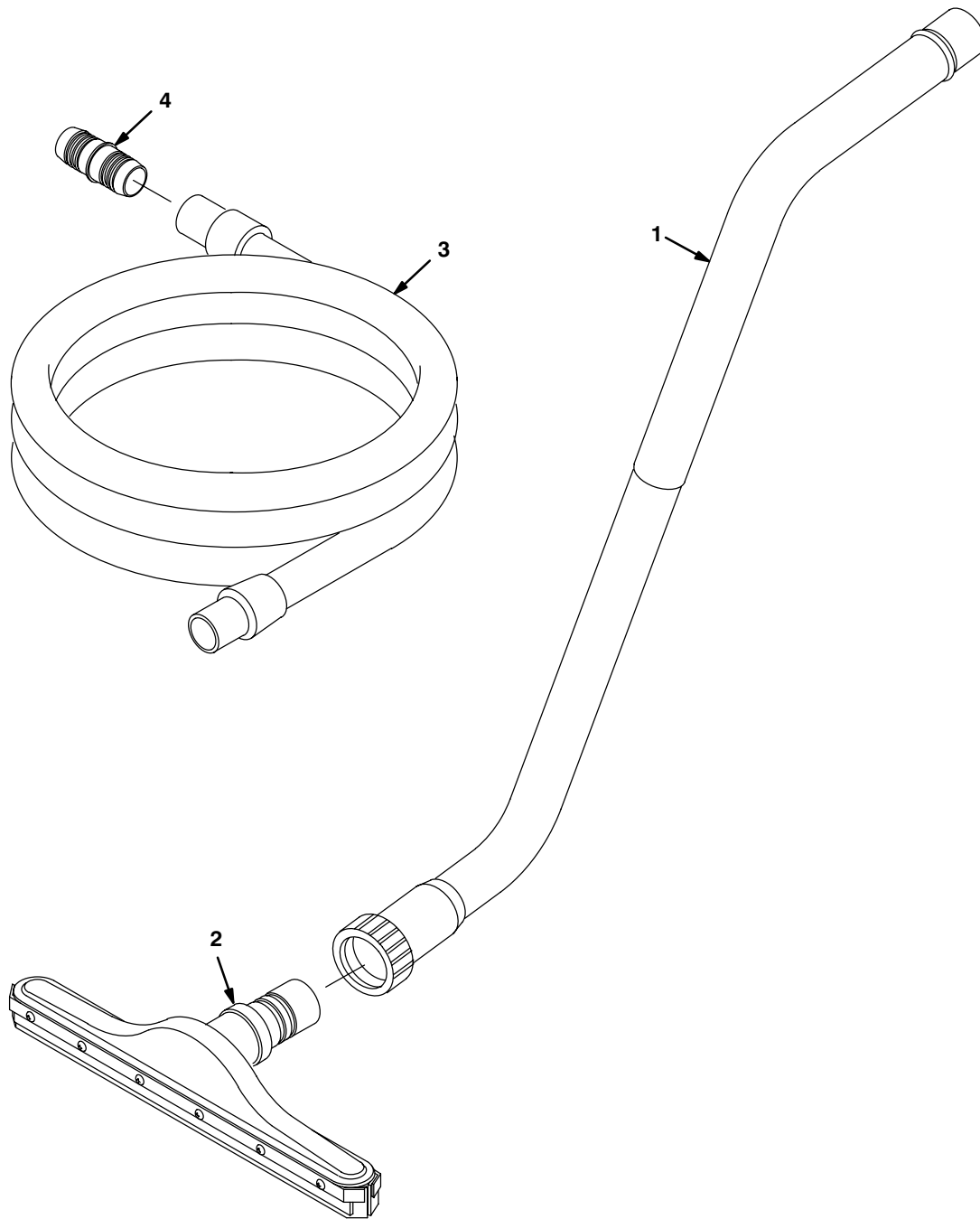
REF	PART #	DESCRIPTION	QTY.
▲10	25160	TUBING, 5/8X1.25'	1
▲11	150415	FITTING, ELBOW 90°	1
▲12	578008000	SCREW, M5X.8X30	1
▲13	630145	●TIMER, 24VDC, RANGE: 30SEC	1
▲14	140283	NUT, 10–24 NYLOCK	1
▲15	606276	COVER, CONTROL PANEL	1
▲16	630419	●SWITCH, ROCKER	1
▲17	578720	SPLASHGUARD, RCKR SWITCH	1
▲18	130738	●LIGHT, INDICATOR GREEN	1
▲N/S	605551	HARNES, WIRE ES™	1

∇ ASSEMBLY / CONJUNTO

▲ INCLUDED IN ASSEMBLY / INCLUIDO EN EL CONJUNTO

● RECOMMENDED STOCK ITEMS / ARTICULOS RECOMENDADOS PARA
MANTENER EN EXISTENCIA

**SQUEEGEE WAND ASSEMBLY
GROUPE D'ASPIRATION ET RACLETTE À MAIN**



REF	PART #	DESCRIPTION	QTY.
▽	190928	●ASM., WAND DOUBLE BEND	1
▲ 1	6108.1	WAND, DOUBLE BEND	1
▲ 2	13840	SQUEEGEE ASM PUSH/PULL	1

REF	PART #	DESCRIPTION	QTY.
▲ 3	160481	●HOSE, VAC 1-1/2X10'	1
▲ 4	160451	CONNECTOR, VAC HOSE	1

▽ ASSEMBLY / CONJUNTO

▲ INCLUDED IN ASSEMBLY / INCLUIDO EN EL CONJUNTO

● RECOMMENDED STOCK ITEMS / ARTICULOS RECOMENDADOS PARA
MANTENER EN EXISTENCIA